

Setting bolts

SPECIFICATION

Types

- Type **AK**: Locating surface with rounded end, hardened
- Type **BK**: Locating surface with Polyurethane disk

Screw
Steel, tensile strength class 5.8

Type AK
blackened
Locating surface, hardened (HRC 45)

Type BK
nickel plated
Polyurethan disc, 90 Shore

Hexagon nut
Steel zinc plated, blue passivated

INFORMATION

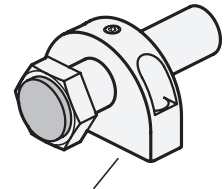
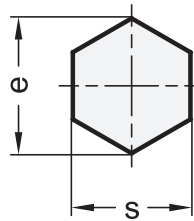
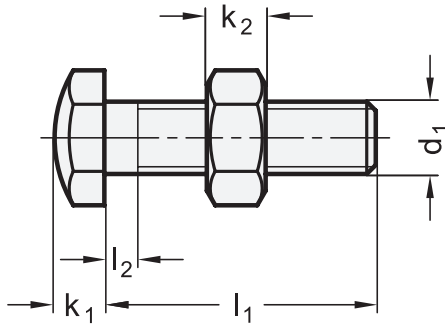
Setting bolts GN 251 are produced with a hardened and rounded head which can be used as support or setting bolt as an end stop. The version with Polyurethane disk (Type BK) functions as damping element or protection for sensitive surfaces.

TECHNICAL INFORMATION

- Strength values of screws (see page A20)

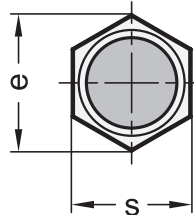
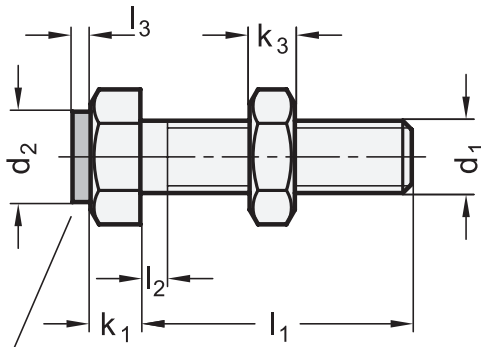


Type AK




Mounting block GN 412.1

Type BK




Polyurethane disk

GN 251-AK

Description	d1	l1	e	k1	k2	l2 max.	s	
GN 251-M3-10-AK	M 3	10	6.4	2	2.4	1.5	5.5	1
GN 251-M3-15-AK	M 3	15	6.4	2	2.4	1.5	5.5	1
GN 251-M3-20-AK	M 3	20	6.4	2	2.4	1.5	5.5	2
GN 251-M3-25-AK	M 3	25	6.4	2	2.4	1.5	5.5	2
GN 251-M3-30-AK	M 3	30	6.4	2	2.4	1.5	5.5	2
GN 251-M4-10-AK	M 4	10	8.1	2.8	3.2	2.1	7	2
GN 251-M4-15-AK	M 4	15	8.1	2.8	3.2	2.1	7	3
GN 251-M4-20-AK	M 4	20	8.1	2.8	3.2	2.1	7	3
GN 251-M4-25-AK	M 4	25	8.1	2.8	3.2	2.1	7	3
GN 251-M4-30-AK	M 4	30	8.1	2.8	3.2	2.1	7	4
GN 251-M4-35-AK	M 4	35	8.1	2.8	3.2	2.1	7	4
GN 251-M4-40-AK	M 4	40	8.1	2.8	3.2	2.1	7	4
GN 251-M5-10-AK	M 5	10	9.2	3.5	4	2.4	8	4
GN 251-M5-15-AK	M 5	15	9.2	3.5	4	2.4	8	4
GN 251-M5-20-AK	M 5	20	9.2	3.5	4	2.4	8	5
GN 251-M5-25-AK	M 5	25	9.2	3.5	4	2.4	8	5
GN 251-M5-30-AK	M 5	30	9.2	3.5	4	2.4	8	6
GN 251-M5-35-AK	M 5	35	9.2	3.5	4	2.4	8	6
GN 251-M5-40-AK	M 5	40	9.2	3.5	4	2.4	8	7
GN 251-M5-50-AK	M 5	50	9.2	3.5	4	2.4	8	8
GN 251-M6-15-AK	M 6	15	11.5	4	5	3	10	7
GN 251-M6-20-AK	M 6	20	11.5	4	5	3	10	8
GN 251-M6-25-AK	M 6	25	11.5	4	5	3	10	9
GN 251-M6-30-AK	M 6	30	11.5	4	5	3	10	10
GN 251-M6-35-AK	M 6	35	11.5	4	5	3	10	11
GN 251-M6-40-AK	M 6	40	11.5	4	5	3	10	12
GN 251-M6-50-AK	M 6	50	11.5	4	5	3	10	14
GN 251-M8-15-AK	M 8	15	15	5.5	6.5	3.7	13	15
GN 251-M8-20-AK	M 8	20	15	5.5	6.5	3.7	13	16
GN 251-M8-25-AK	M 8	25	15	5.5	6.5	3.7	13	18
GN 251-M8-30-AK	M 8	30	15	5.5	6.5	3.7	13	19
GN 251-M8-35-AK	M 8	35	15	5.5	6.5	3.7	13	20
GN 251-M8-40-AK	M 8	40	15	5.5	6.5	3.7	13	23
GN 251-M8-50-AK	M 8	50	15	5.5	6.5	3.7	13	27
GN 251-M8-60-AK	M 8	60	15	5.5	6.5	3.7	13	28
GN 251-M8-70-AK	M 8	70	15	5.5	6.5	3.7	13	32
GN 251-M8-80-AK	M 8	80	15	5.5	6.5	3.7	13	35
GN 251-M10-30-AK	M 10	30	19.6	7	8	4.5	17	36
GN 251-M10-35-AK	M 10	35	19.6	7	8	4.5	17	36
GN 251-M10-40-AK	M 10	40	19.6	7	8	4.5	17	36
GN 251-M10-50-AK	M 10	50	19.6	7	8	4.5	17	48
GN 251-M10-60-AK	M 10	60	19.6	7	8	4.5	17	54
GN 251-M10-70-AK	M 10	70	19.6	7	8	4.5	17	61
GN 251-M10-80-AK	M 10	80	19.6	7	8	4.5	17	61
GN 251-M12-30-AK	M 12	30	21.9	8	10	5.2	19	53
GN 251-M12-35-AK	M 12	35	21.9	8	10	5.2	19	56
GN 251-M12-40-AK	M 12	40	21.9	8	10	5.2	19	60
GN 251-M12-50-AK	M 12	50	21.9	8	10	5.2	19	67
GN 251-M12-60-AK	M 12	60	21.9	8	10	5.2	19	78
GN 251-M12-70-AK	M 12	70	21.9	8	10	5.2	19	87
GN 251-M12-80-AK	M 12	80	21.9	8	10	5.2	19	89
GN 251-M16-50-AK	M 16	50	27.7	10	13	6	24	127
GN 251-M16-60-AK	M 16	60	27.7	10	13	6	24	142
GN 251-M16-70-AK	M 16	70	27.7	10	13	6	24	158
GN 251-M16-80-AK	M 16	80	27.7	10	13	6	24	174

GN 251-BK

Description	d1	l1	d2	e	k1	k3	l2 max.	l3	s	
GN 251-M4-15-BK	M 4	15	5	8.1	2.8	2.4	2.1	1.5	7	2
GN 251-M4-20-BK	M 4	20	5	8.1	2.8	2.4	2.1	1.5	7	3
GN 251-M4-25-BK	M 4	25	5	8.1	2.8	2.4	2.1	1.5	7	3
GN 251-M4-30-BK	M 4	30	5	8.1	2.8	2.4	2.1	1.5	7	3
GN 251-M4-35-BK	M 4	35	5	8.1	2.8	2.4	2.1	1.5	7	4
GN 251-M4-40-BK	M 4	40	5	8.1	2.8	2.4	2.1	1.5	7	4
GN 251-M5-15-BK	M 5	15	6	9.2	3.5	3.2	2.4	1.5	8	4
GN 251-M5-20-BK	M 5	20	6	9.2	3.5	3.2	2.4	1.5	8	4
GN 251-M5-25-BK	M 5	25	6	9.2	3.5	3.2	2.4	1.5	8	5
GN 251-M5-30-BK	M 5	30	6	9.2	3.5	3.2	2.4	1.5	8	6
GN 251-M5-35-BK	M 5	35	6	9.2	3.5	3.2	2.4	1.5	8	6
GN 251-M5-40-BK	M 5	40	6	9.2	3.5	3.2	2.4	1.5	8	7
GN 251-M6-20-BK	M 6	20	8	11.5	4	3.6	3	2	10	7
GN 251-M6-25-BK	M 6	25	8	11.5	4	3.6	3	2	10	8
GN 251-M6-30-BK	M 6	30	8	11.5	4	3.6	3	2	10	9
GN 251-M6-35-BK	M 6	35	8	11.5	4	3.6	3	2	10	10
GN 251-M6-40-BK	M 6	40	8	11.5	4	3.6	3	2	10	10
GN 251-M6-45-BK	M 6	45	8	11.5	4	3.6	3	2	10	11
GN 251-M6-50-BK	M 6	50	8	11.5	4	3.6	3	2	10	12
GN 251-M8-20-BK	M 8	20	10	15	5.5	5	3.7	2	13	15
GN 251-M8-25-BK	M 8	25	10	15	5.5	5	3.7	2	13	16
GN 251-M8-30-BK	M 8	30	10	15	5.5	5	3.7	2	13	18
GN 251-M8-35-BK	M 8	35	10	15	5.5	5	3.7	2	13	20
GN 251-M8-40-BK	M 8	40	10	15	5.5	5	3.7	2	13	21
GN 251-M8-45-BK	M 8	45	10	15	5.5	5	3.7	2	13	23
GN 251-M8-50-BK	M 8	50	10	15	5.5	5	3.7	2	13	24
GN 251-M10-20-BK	M 10	20	13	19.6	7	6	4.5	2	17	29
GN 251-M10-25-BK	M 10	25	13	19.6	7	6	4.5	2	17	31
GN 251-M10-30-BK	M 10	30	13	19.6	7	6	4.5	2	17	34
GN 251-M10-35-BK	M 10	35	13	19.6	7	6	4.5	2	17	36
GN 251-M10-40-BK	M 10	40	13	19.6	7	6	4.5	2	17	39
GN 251-M10-45-BK	M 10	45	13	19.6	7	6	4.5	2	17	41
GN 251-M10-50-BK	M 10	50	13	19.6	7	6	4.5	2	17	43



Machine elements 9